



*MODEL A-SLJ-6
FORMED ADJUSTABLE LOUVER
STRAIGHT BLADE*

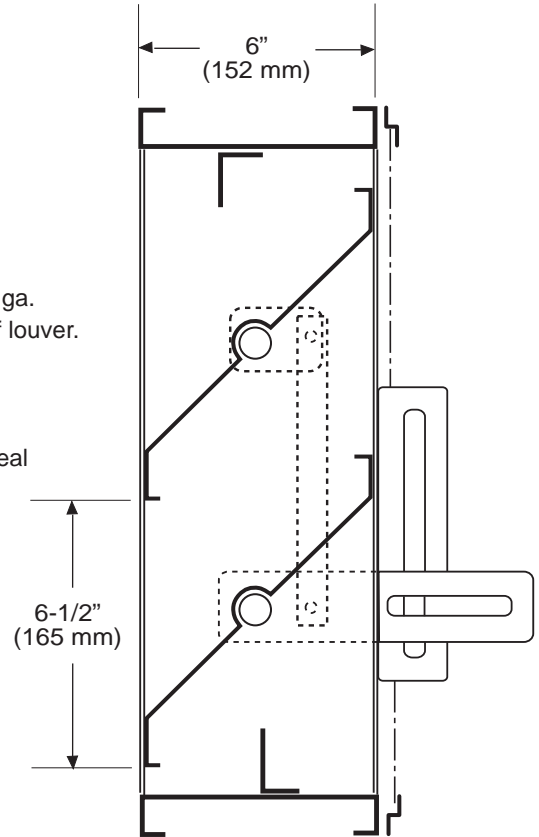
Standard Construction:

- Frame:** 6" (152 mm) x 20 ga. galvanized steel.
- Blades:** 20 ga. galvanized steel, approximately 6-1/2" (165 mm) on centers.
- Blade Angle:** 45°
- Bearings:** Permanently lubricated oilite bronze, press fit into frame.
- Axles:** 1/2" (12.7 mm) dia. plated steel.
- Linkage:** Plated steel.
- Operator:** Wing nut slide bracket.
- Screen:** Bird screen - 1/2" x 1/2" (12.7 mm x 12.7 mm) x 19 ga. galvanized steel, in a removable frame on interior of louver.
- Finish:** Mill galvanized.
- Minimum Size:** 12"w x 12"h (25.4 mm x 25.4 mm)
- Maximum Section Size:** 48"w x 72"h (1219 mm x 1829 mm) with Jamb Seal
48"w x 96"h (1219 mm x 2438 mm) without Jamb Seal

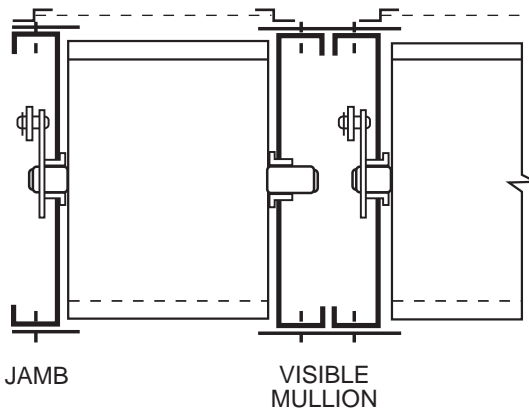
Options:

- Screens:** Insect screen - 18 x 16 mesh aluminum.
Other: _____
- Blade Seals:** Extruded vinyl
- Jamb Seals:** Flexible stainless steel
- Finish:** Prime Coat.
Baked Enamel.
Other: _____
- Sill Extensions:**
- Flange:** 1-1/2" (38 mm) (front or rear)
- Other Operator** - _____

Notes: Louvers fabricated 1/4" (6.4 mm) under opening size unless otherwise noted.

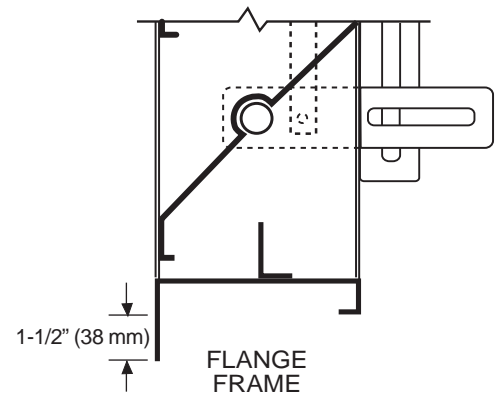


CHANNEL FRAME



JAMB

VISIBLE MULLION



FLANGE FRAME

A-SLJ-6 - 02-05

Specifications are correct at time of printing. However, as part of our 'continuous improvement program,' we reserve the right to make further improvements without notice.
© JULY, 2000 NCA Manufacturing

Project:	Contractor:
Location:	Address:
Architect:	P.O. Number:
Engineer:	Date: