



*MODEL ARV-S (E)  
GRAVITY ROOF VENTILATOR*

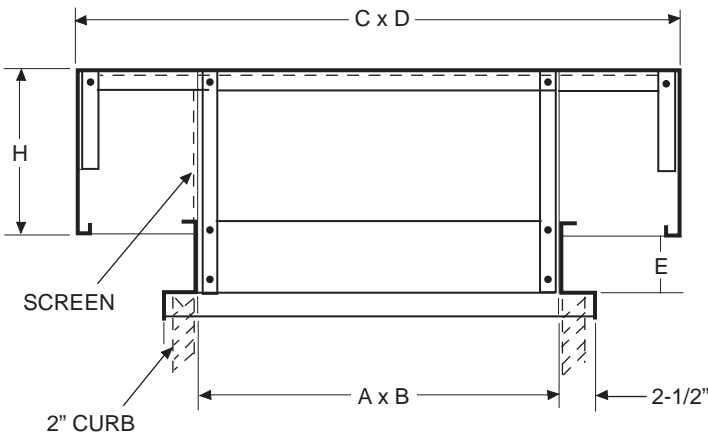
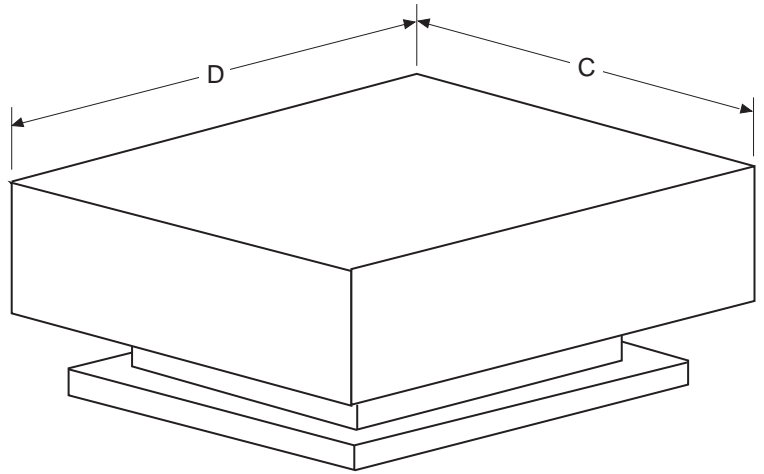
**Model ARV-S (Supply)  
ARV-E (Exhaust)**

**Standard Construction**

- Heavy gauge aluminum hood  
.063 or .080 depending on size
- Low profile design
- 2 mesh x 19 ga. galvanized bird screen
- All welded, fully mitered .080 alum. base
- All aluminum structural support angles

**Options**

- Insulated or anticondensate coated roof
- Hinged roof
- Various screens
- Painted finishes
- Special bases for existing curbs



ARV(S(E) - 02-05

DIMENSIONS						
QTY.	A	B	C	D	E	H

Units with C and D dimensions over 90" will be shipped in sections for field assembly.

Specifications are correct at time of printing. However, as part of our 'continuous improvement program,' we reserve the right to make further improvements without notice. © 1999 NCA Manufacturing

Project: \_\_\_\_\_ Contractor: \_\_\_\_\_  
Location: \_\_\_\_\_ Address: \_\_\_\_\_  
Architect: \_\_\_\_\_ P.O. Number: \_\_\_\_\_  
Engineer: \_\_\_\_\_ Date: \_\_\_\_\_